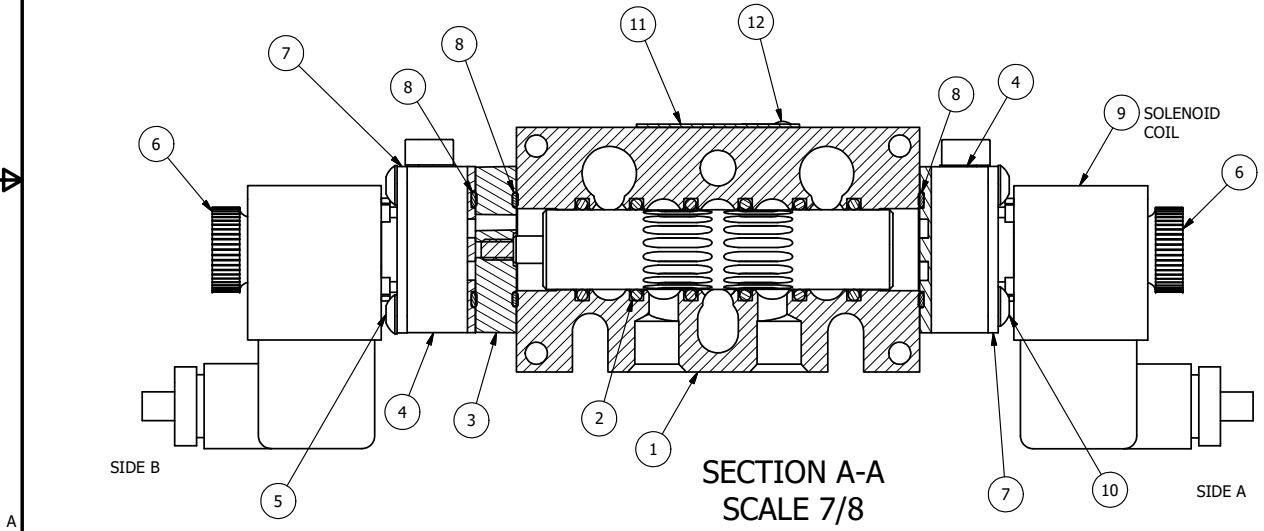


POSITION GASKET AND AY-EMY3D ON END OF VALVE TO ALIGN PILOT HOLES (SIDE 'B' ONLY)



POSITION GASKET ON END OF VALVE BETWEEN BODY OR AY-EMY3D AND SOLENOID OPERATOR BOTH SIDES (SIDE 'A' SHOWN)



NOTES:

- 1) ALWAYS GIVE VALVE MODEL AND PART NUMBER WHEN ORDERING PARTS.
- 2) FOR DIFFERENT VOLTAGES OTHER THAN 24VDC, CONSULT FACTORY.

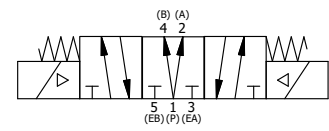
| FLG | QTY | PART NO  | DESCRIPTION   |
|-----|-----|----------|---|
| 13  | 3   | V-110    | O-RING, BUNA-N, 70 DURO, AS-114, (REF 5/8 X 13/16 X 3/32), 1/4" SLEEVE, 1/2" SUB, STACK |
| 12  | 2   | V-212    | SCREW, #2 X 3/16 DRIVE, TYPE U, OVAL HEAD, STAINLESS STEEL                              |
| 11  | 1   | AN-114   | NAMEPLATE, BLANK, FOR VALVES WITH SPRINGS OR DETENTS                                    |
| 10  | 4   | V-584    | SCREW, 10-24 X 1, BUTTON HEAD SOCKET CAP WITH MICROSPHERE APPLIED TO THREADS.           |
| 9   | 2   | V-612-3  | ATEX COIL 24 VDC WITH 3 METER CORD. NASS # 1215 30.1-001/6896.                          |
| 8   | 3   | EMG3     | GASKET - END MOUNT SOLENOID, BUNA-N, 1/4" & 3/8" VALVES                                 |
| 7   | 2   | SEC3-7   | PLATE, RE-INFORCEMENT, SOLENOID, STAMPED, 304 STAINLESS                                 |
| 6   | 2   | V-567W   | E SERIES SINTERED BRONZE MUFFLER, DUST EXCLUDER, V-613 LOCK WASHER                      |
| 5   | 4   | V-601    | SCREW, 10-24 X 1-1/2, BUTTON HEAD SOCKET CAP WITH MICROSPHERE ADHESIVE                  |
| 4   | 2   | V-599-1  | SOL OPER, END MOUNT, LOCKING O'RIDE   |
| 3   | 1   | AY-EMY3D | ASSY - SPR CTR, REGEN CTR SPL, END MOUNT SOLENOID, 1/4" & 3/8" VALVES                   |
| 2   | 6   | V-39     | O-RING, VITON, STD BODY, 1/4" & 3/8" VALVES   |
| 1   | 1   | B2-10E   | FINISHED - SOLID BODY, UPPER PILOTS, 1/4" STACKING VALVE                                |

LIMITS ON DIMENSIONS  
UNLESS OTHERWISE SPECIFIED  
2-PL DECIMAL ± .01  
3-PL DECIMAL ± .005  
FRACTIONAL ± 1/64  
ANGULAR ± 1/2°



DRAWN: RMckenna DATE: 10/15/2018 CHECKED: KWaite DATE: 10/15/2018  
SCALE: 1 : 1 SHEET: 1 OF 1 RELEASED: HWomack DATE: 10/15/2018

TITLE: 1/4" STACK, DBL SOL, 3 POS, SPR CTR, REGEN CTR SPL, ATEX, 24VDC, LCKNG OVRD, DUST EXCLDR  
PART NO.: EBSY2DTOL 24VDC  
REV.: A



| A | NO.      | DATE                                       | REVISION |
|---|----------|--|----------|
|   | 6/1/2018 | ECG3 GASKET TO EMG3, SPL ASSY TO AY-EMY3D. |          |

THE INFORMATION CONTAINED WITHIN THIS DOCUMENT IS PROPRIETARY TO AAA PRODUCTS AND MAY NOT BE DISCLOSED WITHOUT PRIOR WRITTEN CONSENT

P:\Engineering\product\Valve Assembly\Standard\DWG\EBSY2D.T01.24VDC.dwg